

Revisions				216642	A
LAL	Rev.	Description	Chk	Date	Approved
	A	ENGRG RELEASE	<i>RF</i>	11-4-77	<i>R. Freeman</i>

**ENGINEERING
RELEASE**

THIS DOCUMENT CONTAINS 13 SHEETS

Dist Code **SPG**

These drawings and specifications, and the data contained therein, are the exclusive property of Xerox Corporation and/or Rank Xerox, Ltd. issued in strict confidence and shall not, without the prior written permission of Xerox Corporation or Rank Xerox, Ltd., be reproduced, copied or used for any purpose whatsoever, except the manufacture of articles for the manufacture of articles for Xerox Corporation or Rank Xerox, Ltd.	Notes Unless Specified	Drawn <i>11-10-77</i>	Xerox Corporation El Segundo, California XEROX			
	1. Tolerances .XX ±.03 Angular .XXX ±.010 ±½°	Check				Appr. <i>11-4-77</i>
	2. Break All Sharp Edges .010 Approx.	Material		Title ASSY, PRINTED WIRING- CONTROL BOARD (2K) (EXTENDED MEMORY)		
	3. Mech. Surfaces <input checked="" type="checkbox"/>					
4. All Dim. in Inches			Dwg. No.	216642	Change Letter	
No. First Use ALTO II	Finish	Code Ident.	Size			
Next Assy. First Use 216647		18338	A			
		Scale	Do Not Scale Drawing		Sheet 1 OF	

NOTES: UNLESS OTHERWISE SPECIFIED

1. MAKE FROM ASSY, P W - CONTROL BOARD (2K) P/N 216484 REV. B (ITEM 1).
2. THE FOLLOWING MODIFICATIONS ARE REQUIRED TO CONVERT CONTROL BOARD (2K), ITEM 1, TO EXTENDED MEMORY CONTROL BOARD (2K).
 - 1) CUT ETCH BETWEEN PIN 109 AND FEEDTHRU UNDER U9 (ETCH SIDE).
 - 2) | PIN 108 AND FEEDTHRU. (ETCH SIDE).
 - 3) | PIN 107
 - 4) | PIN 106
 - 5) | PIN 105
 - 6) | PIN 62
 - 7) CUT ETCH BETWEEN PIN 63 AND FEEDTHRU. (ETCH SIDE).
 - 8)
 - 9)
 - 10)
 - 11) ADD WIRE FROM U11-1 TO U11-2 TO U17-1.
 - 12) | U11-4 | U11-5 | U17-2.
 - 13) | U11-11 | U11-12 | U17-3.
 - 14) | U11-14 | U11-15 TO U17-5.
 - 15) | U11-7 | U11-8.
 - 16) | U11-3 | PIN 105.
 - 17) | U11-6 | PIN 106.
 - 18) | U11-10 | PIN 107.
 - 19) | U11-13 | PIN 108.
 - 20) ADD WIRE FROM U16-15 TO PIN 109.
 - 22)
 - 23)
 - 24)
 - 25)
 - 26) INSTALL MICROCIRCUIT, 74S00 (ITEM 2) IN LOCATION U11 PIN 1-7 AND 10-16.
- 3 RUBBER STAMP "ASSY 216642" .12 HIGH, WHITE CHARACTERS.
- 4 RUBBER STAMP "EXTN MEM." .12 HIGH, WHITE CHARACTERS.

drawings and specifications, and the data contained therein, are the exclusive property of Xerox Corporation and/or Rank Xerox, Ltd. issued in strict confidence and shall not, without the prior written permission of Xerox Corporation or Rank Xerox, Ltd., be reproduced, copied or used for any purpose whatsoever, except the manufacture of articles for Xerox Corporation or Rank Xerox, Ltd.

Title
 ASSY, PRINTED WIRING--
 CONTROL BOARD (2K)
 (EXTENDED MEMORY)

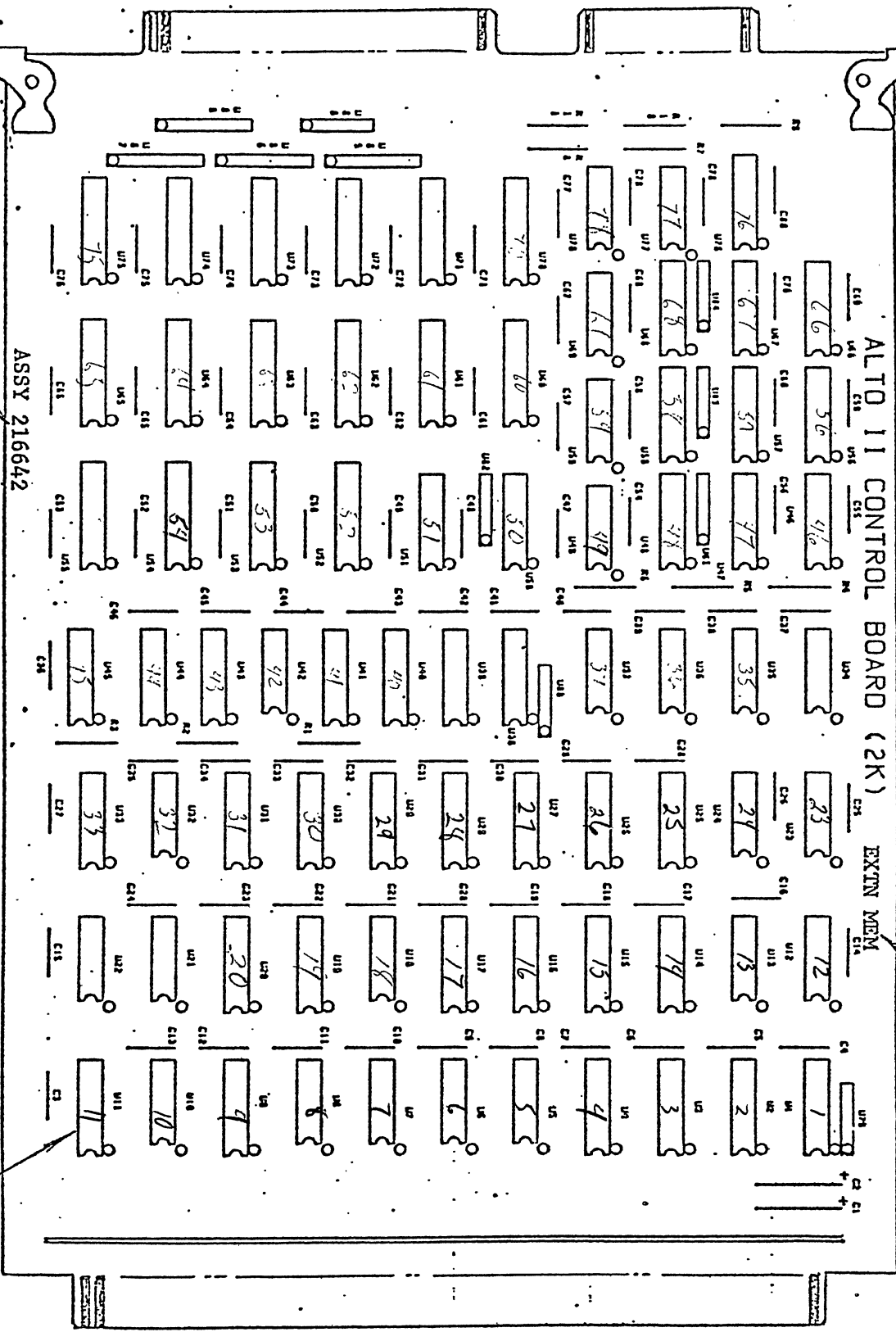
Xerox Corporation
 El Segundo, California

XEROX

216642

A

Sheet 2 of



ASSY 216642

ALTO II CONTROL BOARD (2K)

EXTN MEM

4
(EXTN MEM)

3

2 3

Drawings and specifications, and the data contained herein, are the exclusive property of Xerox Corporation and/or Rank Xerox, Ltd. issued in strict confidence and shall not, without the prior written permission of Xerox Corporation or Rank Xerox, Ltd., be reproduced, copied or used for any purpose whatsoever, except the manufacture of articles for Xerox Corporation or Rank Xerox, Ltd.

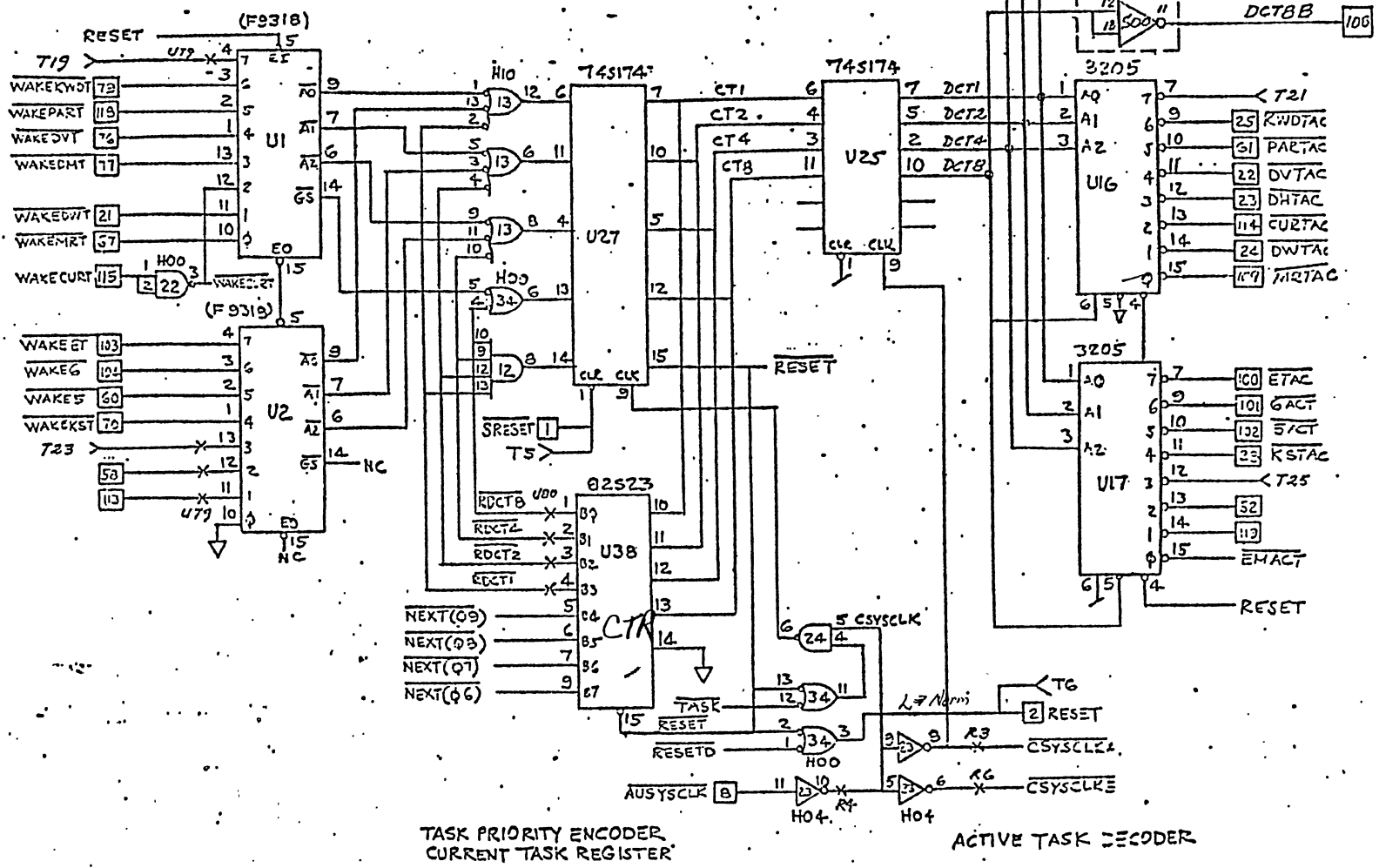
Title
ASSEMBLY, P. W. -
CONTROL BOARD (2K)
(EXTENDED MEMORY)

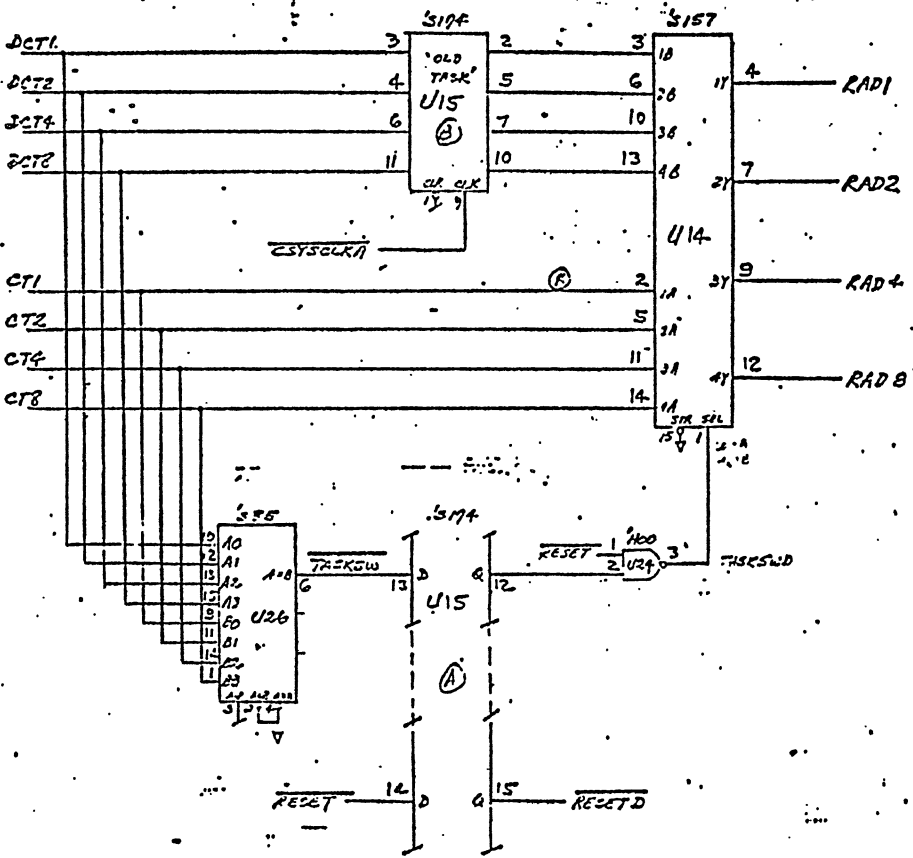
Xerox Corporation El Segundo, California		XEROX
216642	A	
Sheet	3	OI

These drawings and specifications, and the data contained therein, are the exclusive property of Xerox Corporation and/or Rank Xerox, Ltd. issued in strict confidence and shall not, without the prior written permission of Xerox Corporation or Rank Xerox, Ltd., be reproduced, copied or used for any purpose whatsoever, except the manufacture of articles for Xerox Corporation or Rank Xerox Ltd.

Title
CONTROL BOARD (2K)
 (PRINTED MEMORY)

Xerox Corporation
 El Segundo, California
 216642
 A





Drawings and specifications, and the data contained herein, are the exclusive property of Xerox Corporation and/or Rank Xerox, Ltd. Issued in strict confidence and shall not, without the prior written permission of Xerox Corporation or Rank Xerox, Ltd., be reproduced, copied or used for any purpose whatsoever, except the manufacture of articles for Xerox Corporation or Rank Xerox, Ltd.

Title

ASSEMBLY, P. W. -
CONTROL BOARD (2K)
(EXTENDED MEMORY)

Xerox Corporation
El Segundo, California

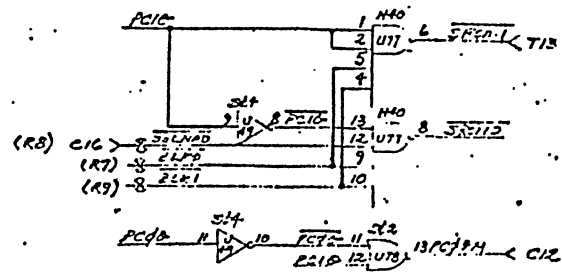
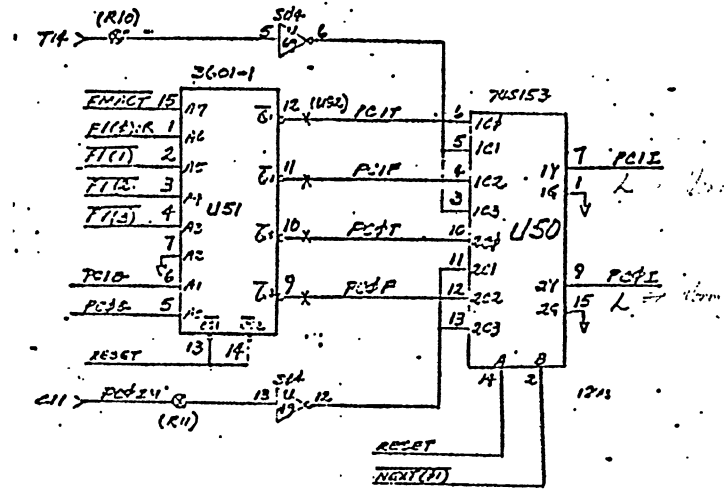
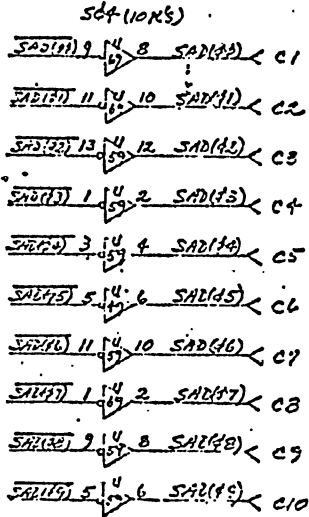
XEROX

216642

A

Sheet 7 of 01

129,157,721



X EACH SIGNAL PULL-UP WITH 330 Ω RESISTOR
 ⊙ EACH SIGNAL PULL-UP WITH 1K Ω RESISTOR

Drawings and specifications, and the data contained therein, are the exclusive property of Xerox Corporation and/or Rank Xerox, Ltd. issued in strict confidence and shall not without the prior written permission of Xerox Corporation or Rank Xerox, Ltd., be reproduced, copied or used for any purpose whatsoever, except the manufacture of articles for Xerox Corporation or Rank Xerox, Ltd.

Title

ASSEMBLY, P. W. -
 CONTROL BOARD (2K)
 (EXTENDED MEMORY)

Xerox Corporation
 El Segundo, California

XEROX

Sheet 9 of 01

216642

A

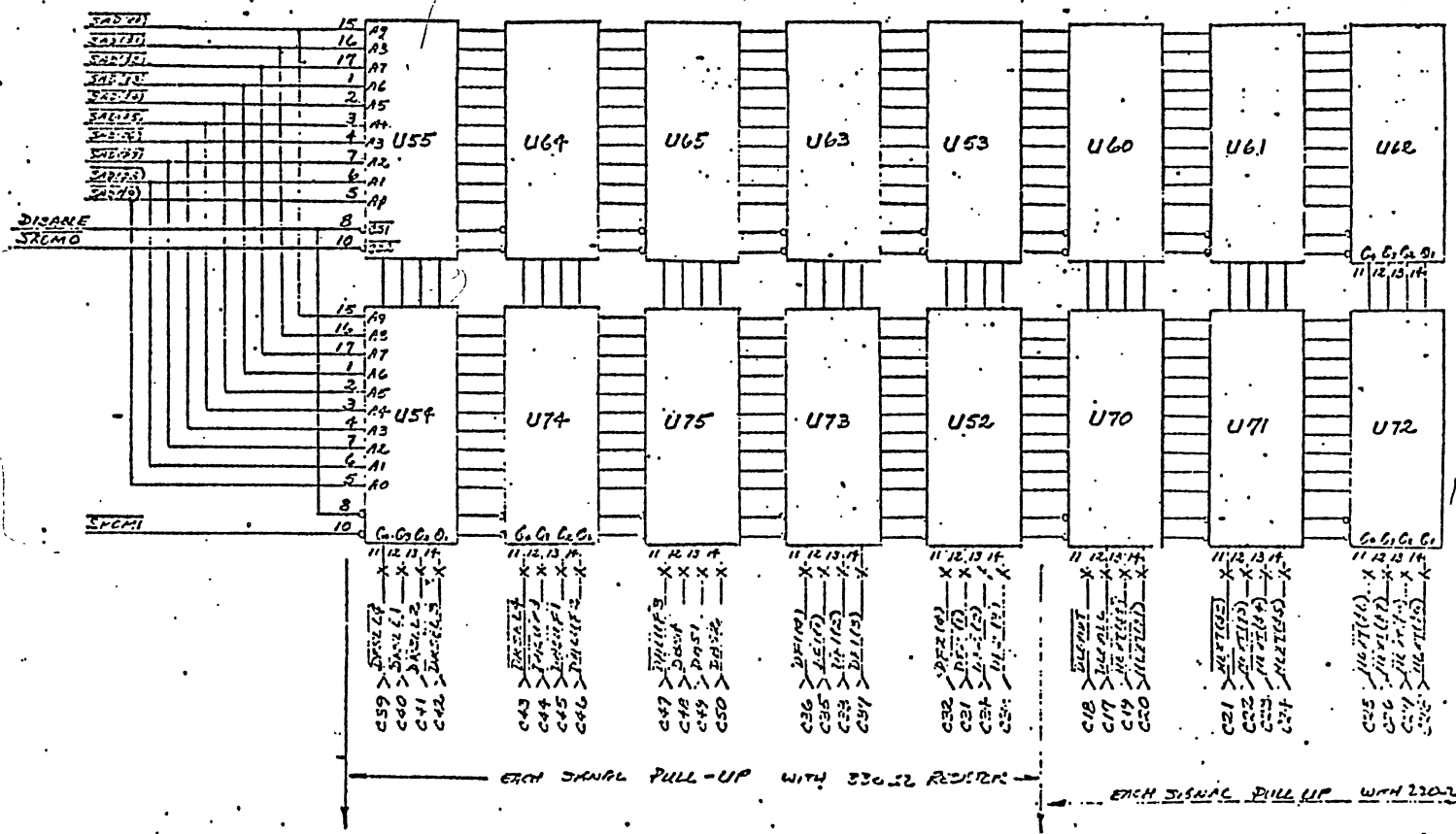
10 address lines

1K / 4K

4 bits 8 chips

32 bits

SIGNETICS - 825136 (16 PLS)



φ-1777
φ-1023

200-3777

1024-3047

EACH SIGNAL PULL-UP WITH 330Ω RESISTOR

EACH SIGNAL PULL UP WITH 220Ω

Drawings and specifications, and the data contained herein, are the exclusive property of Xerox Corporation and/or Rank Xerox, Ltd. issued in strict confidence and shall not, without the prior written permission of Xerox Corporation or Rank Xerox, Ltd., be reproduced, copied or used for any purpose whatsoever, except the manufacture of articles for Xerox Corporation or Rank Xerox, Ltd.

Title
ASSEMBLY, P. W. -
CONTROL BOARD (2K)
(EXTENDED MEMORY)

Xerox Corporation
El Segundo, California
216642
10 of
A

XEROX

152513731

The drawings and specifications, and the data contained therein, are the exclusive property of Xerox Corporation and/or Rank Xerox, Ltd. issued in strict confidence and shall not, without the prior written permission of Xerox Corporation or Rank Xerox, Ltd., be reproduced, copied or used for any purpose whatsoever, except the manufacture of articles for Xerox Corporation or Rank Xerox, Ltd.

Title

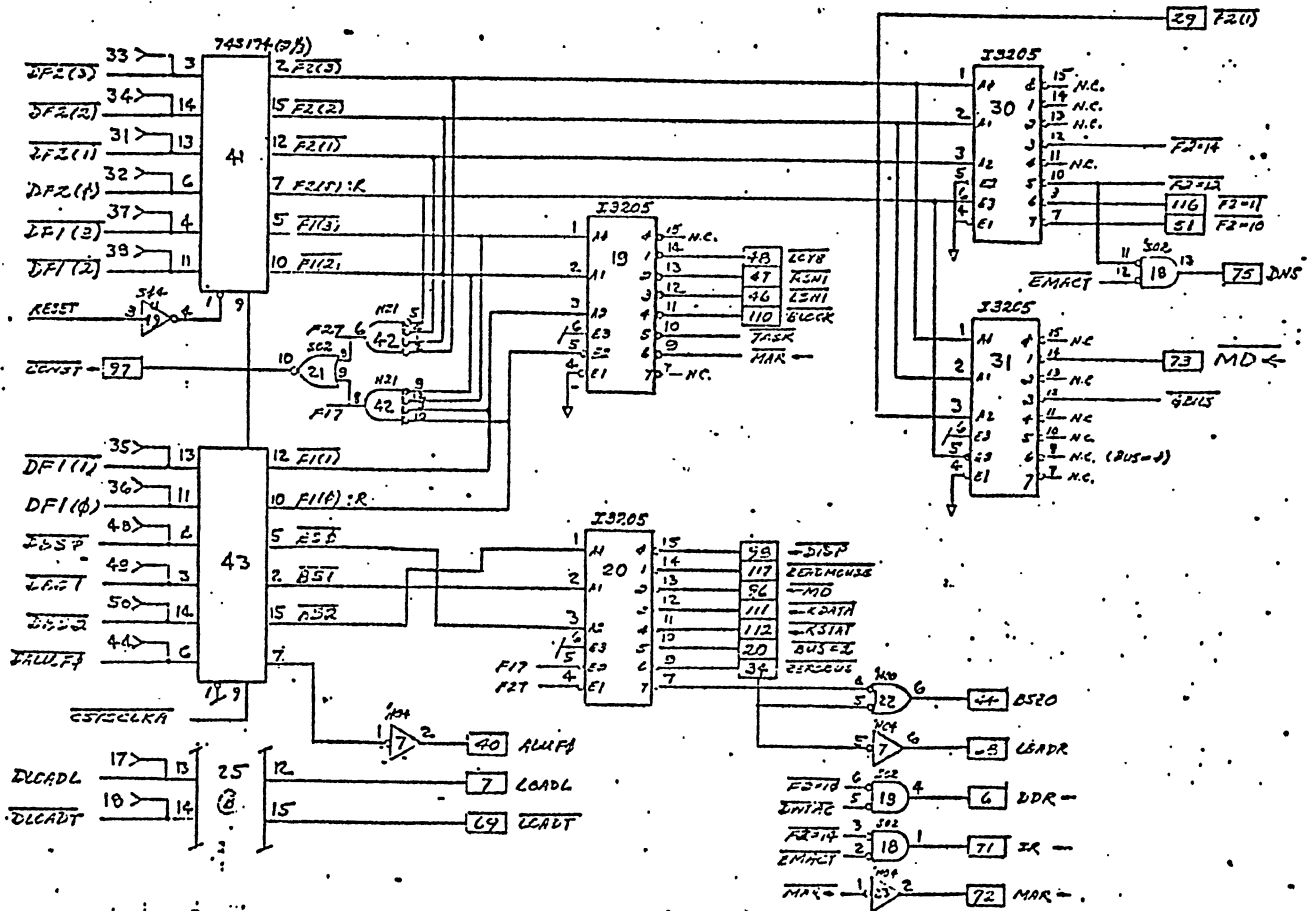
ASSEMBLY, P. W. -
CONTROL BOARD (2K)
(EXTENDED MEMORY)

Xerox Corporation
El Segundo, California
Sheet 11 01

216642

A

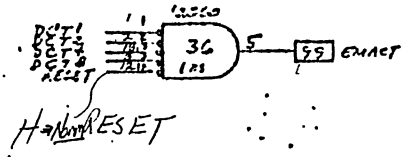
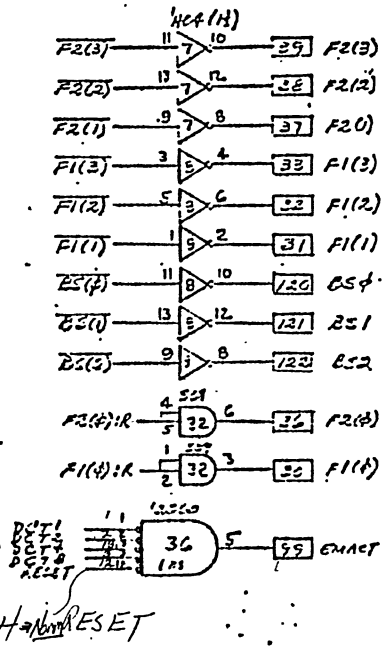
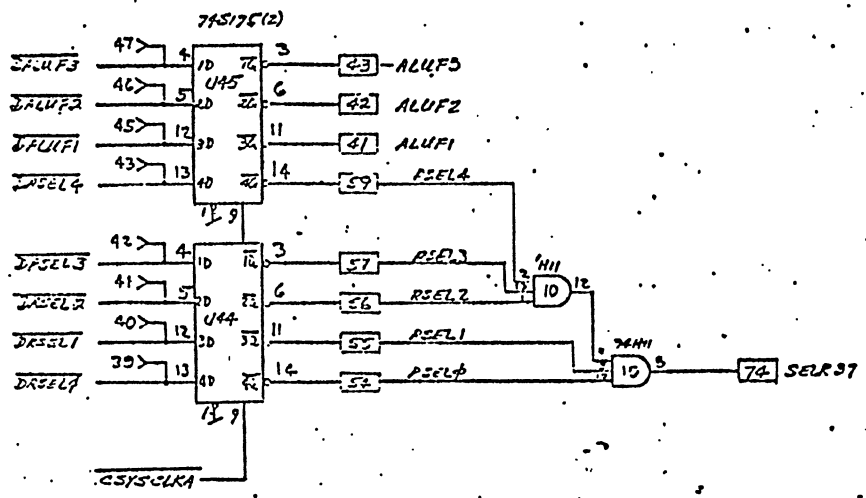
XEROX



The drawings and specifications, and the data contained herein, are the exclusive property of Xerox Corporation and/or Rank Xerox, Ltd. Issued in strict confidence and shall not, without the prior written permission of Xerox Corporation or Rank Xerox, Ltd., be reproduced, copied or used for any purpose whatsoever, except the manufacture of articles for Xerox Corporation or Rank Xerox, Ltd.

Title
**ASSEMBLY, P. W. -
 CONTROL BOARD (2K)
 (EXTENDED MEMORY)**

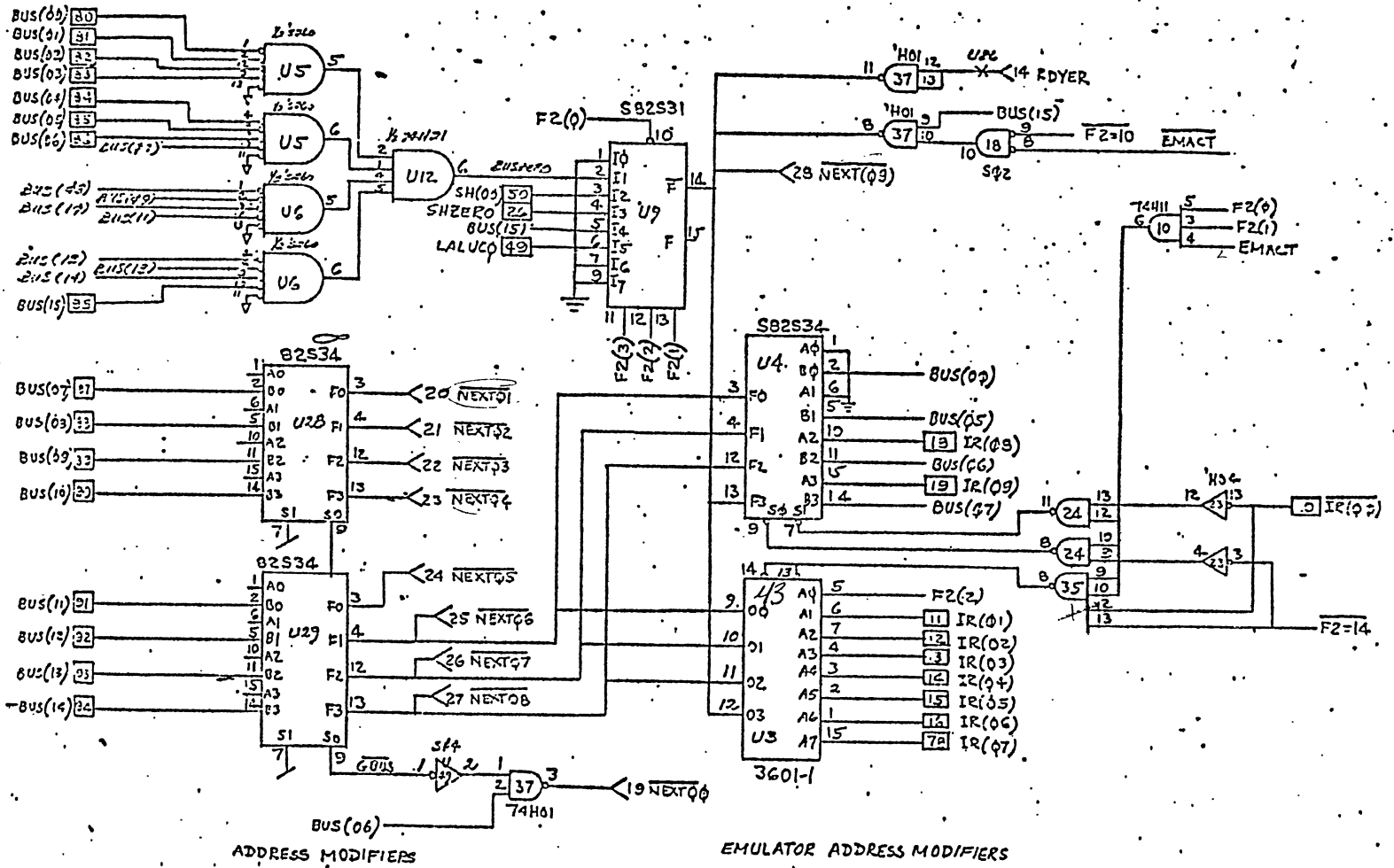
Xerox Corporation
 El Segundo, California
XEROX
 Sheet 12 of 216642
 A



This drawing and specifications, and the data contained therein, are the exclusive property of Xerox Corporation and/or Rank Xerox, Ltd. Issued in strict confidence and shall not, without the prior written permission of Xerox Corporation or Rank Xerox, Ltd., be reproduced, copied or used for any purpose whatsoever, except the manufacture of articles for Xerox Corporation or Rank Xerox, Ltd.

Title
ASSEMBLY, P. W.
CONTROL BOARD (2K)
(EXTENDED MEMORY)

Xerox Corporation
 El Segundo, California
XEROX
 216642
 Sheet 13 of 01
 A



ADDRESS MODIFIERS

EMULATOR ADDRESS MODIFIERS

REWORK INSTRUCTION FOR CONTROL MODULE WITH 3K CRAM.
(REFER TO FIGURE1)

- CUT ETCH TO FEED THROUGH P2-14 (ETCH SIDE)
- CUT ETCH TO FEED THROUGH P2-12 (ETCH SIDE)
- CUT ETCH BETWEEN U51-8 AND U51-7 (ETCH)
- CUT ETCH TO U70-10 (ETCH SIDE)

- ADD JUMPER FROM U37-12 TO U37-7 (ETCH)
- ADD JUMPER FROM U51-7 TO U39-3 (ETCH)
- ADD JUMPER FROM U68-9 TO FEED THROUGH P2-14 (ETCH SIDE)
- ADD JUMPER FROM U68-12 TO FEED THROUGH P2-12 (ETCH SIDE)
- ADD JUMPER FROM U25-11 TO FEED THROUGH P3-7 (ETCH SIDE)
- ADD JUMPER FROM U25-3 TO FEED THROUGH P3-8 (ETCH SIDE)
- ADD JUMPER FROM U25-4 TO FEED THROUGH P3-9 (ETCH SIDE)
- ADD JUMPER FROM U25-6 TO FEED THROUGH P3-10 (ETCH SIDE)

REPLACE U51 WITH SW3K PROM (82S126)

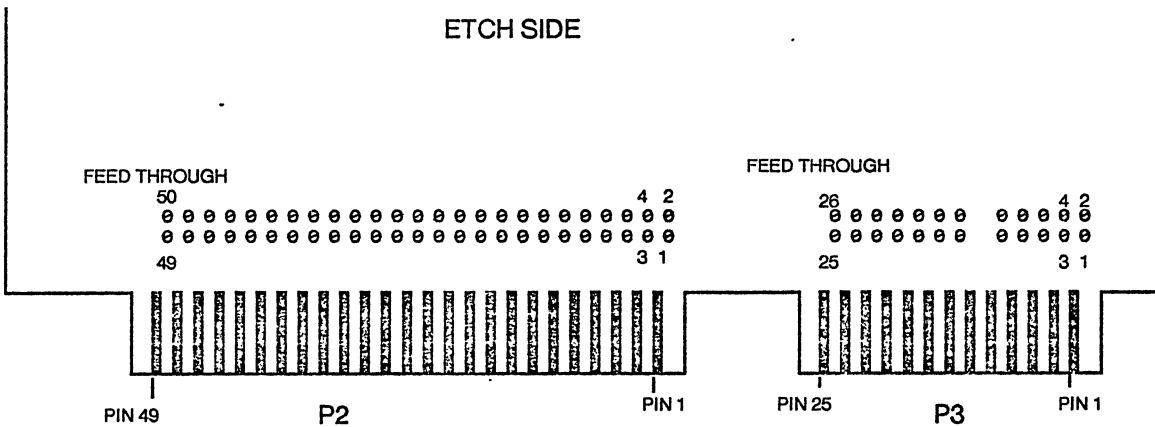


FIGURE 1

ISIS\PAE\DRAWINGS\CONTROL-MOD.SIL

These drawings and specifications, and the data contained therein, are the exclusive property of Xerox Corporation and or Rank Xerox, Ltd. and shall not, without the prior written permission of Xerox Corporation or Rank Xerox, Ltd., be reproduced, copied or used for any purpose whatsoever, except the manufacture of articles for Xerox Corporation or Rank Xerox, Ltd.

Title	Xerox Corporation		XEROX
	El Segundo, California		
File CONTROL-MOD.SIL	Dwg. No.	Rev. A	
	Sheet	12	Of 4